

# MICA LAMP & Fan Co.



GLENAIRE F101-01-GL

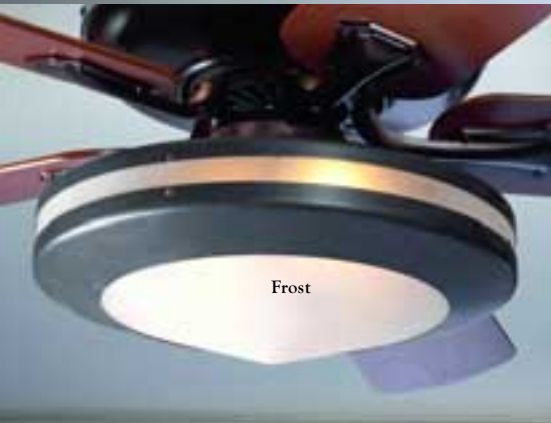
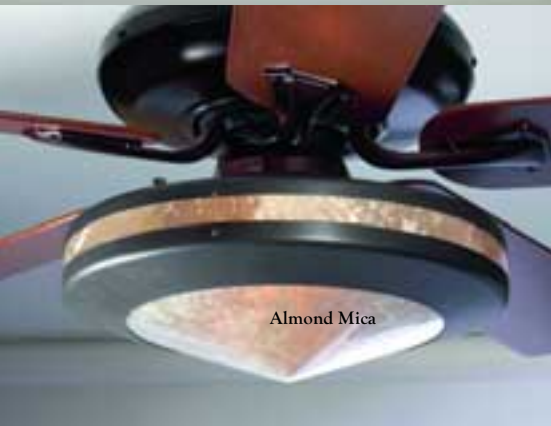
OL = 18.25"  
Specify Fan Finish (Pg. 4)  
Light Kit = 2x100w, Dark Copper  
Comes with 2 Bottom Glass Lens:  
Frost & Clear  
Specify Mica Color:  
Orange or Almond

Mica Lamp Co. 517 State Street  
tel (818) 241-7227 fax (818) 241-5439

Glendale, CA 91203  
www.micalamps.com



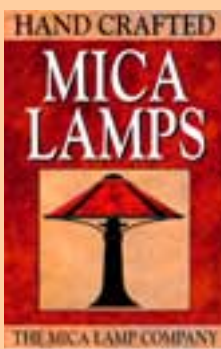
Modern Cone F101-01-MC  
 OL = 18.25" Specify Fan Finish (pg. 4)  
 Light Kit = 2x100w, Dark Copper  
 Specify Mica Color: Orange or Almond or  
 Frost Acrylic Glass



Prairie Breeze F101-01-PB  
 OL = 18.25" Specify Fan Finish (pg. 4)  
 Light Kit = 2x100w, Dark Copper  
 Specify Mica Color: Orange or Almond or  
 Frost Acrylic Glass  
 Comes with 3 bottom lens: Orange, Almond, and Frost  
 Glass



Modern Orb F101-01-MO  
 OL = 18.25" Specify Fan Finish (pg. 4)  
 Light Kit = 2x100w, Dark Copper  
 Specify Mica Color: Orange or Almond or  
 Frost Acrylic Glass



Coppersmith F101-01-C  
 OL = 19.5" Specify Finish (pg. 4)  
 Light Kit = 2x100w, Dark Copper  
 Specify Mica Color: Orange or Almond

Los Feliz 3 Light F101-25-LFK3  
 OL = 18" Specify Fan Finish (pg. 4)  
 Light Kit = 3x60w, Black Iron  
 Specify Mica Color: Orange or Almond or Frost Glass



Almond Mica

Buffet F101-01-B  
 OL = 16.75" Specify Fan Finish (pg. 4)  
 Light Kit = 3x60w, Dark Copper  
 Specify Mica Color: Orange or Almond



Orange Mica

Bell White F101-24-BW  
 OL = 18.5" Specify Fan Finish (pg. 4)  
 Light Kit = 2x60w  
 "Alabaster" Glass



The Glasgow Series  
 OL = 18.5" Specify Fan Finish (pg. 4)  
 Light Kit = 2x60w, Heavy, Inlaid Seed Glass  
 Specify Design\*\*



Leaf\*\*  
 F101-01-GL

Lantera F101-01-L  
 OL = 18.75" Specify Fan Finish (pg. 4)  
 Light Kit = 2x100w, Dark Copper  
 Specify Mica Color: Orange or Almond



Almond Mica

French F101-01-F  
 OL = 16.5" Specify Fan Finish (pg. 4)  
 Light Kit = 3x60w, Candelabra  
 Heavy, Molded Frost Glass



Orange Mica

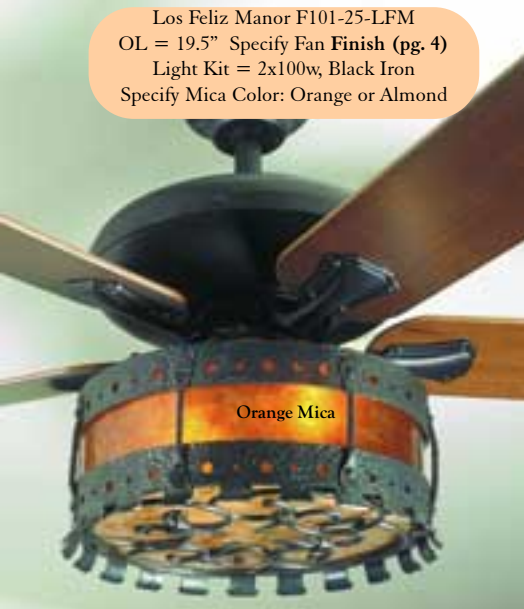


Quadrant  
 4 Square\*\*  
 F101-01-G4



8 Square\*\*  
 F101-01-G8

Los Feliz Manor F101-25-LFM  
 OL = 19.5" Specify Fan Finish (pg. 4)  
 Light Kit = 2x100w, Black Iron  
 Specify Mica Color: Orange or Almond

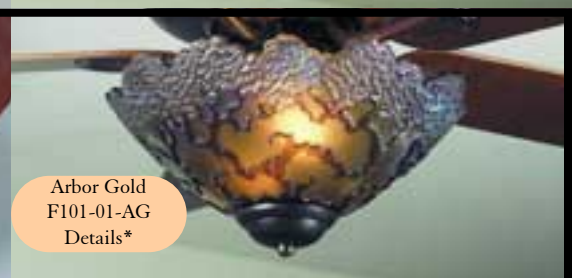


Orange Mica

Arbor Iridescent\*  
 OL = 18.5" Specify Fan Finish (pg. 4)  
 Light Kit = 2x60w,  
 Specify Glass Color



Frost



Arbor Gold  
 F101-01-AG  
 Details\*

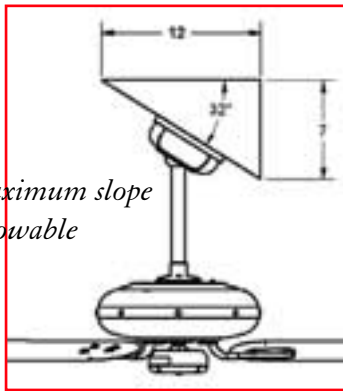


Gold & Silver  
 Shades  
 LIGHT OFF  
 Iridescent

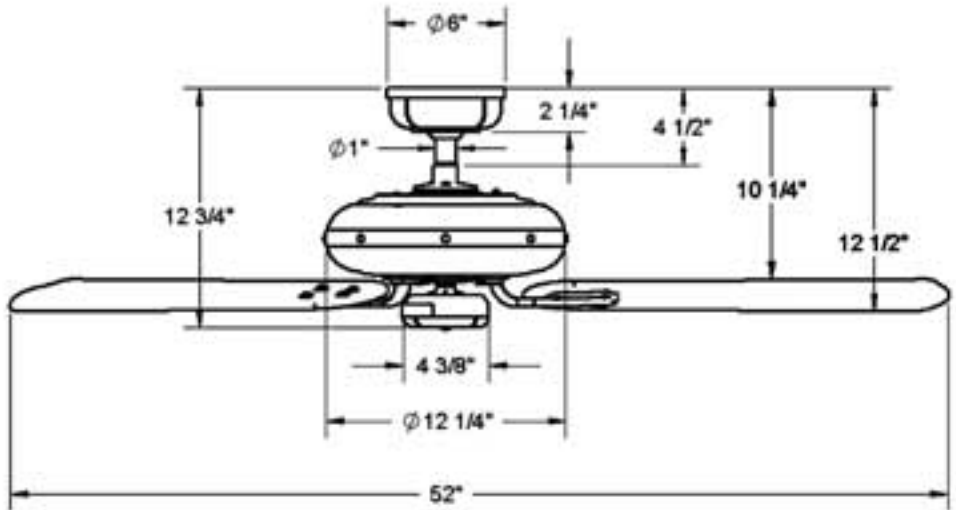


Silver  
 F101-01-AS  
 Details\*

# SPECIFICATIONS



Maximum slope allowable



## ACCESSORIES & INSTALLATION

*High Design with Simplicity: No need to order separate Fan Accessories – It's all in the Box! Free Remote Control, Fan Blades, Screw Driver, and Bulbs. Our Unique, Fully-Cast, heavy duty "Hatch 2 Canopy" makes installation a safe and easy – One person installation.*



"Hatch 2 Canopy"

*Full dimming light control (LIGHT DIMMER) and fan reversible button (FOR/REV) are on the Wall Control and on the Hand Held Remote Control (The Remote Control is included FREE with all Fans).*



*Superstrong 6 ply all wood reversible BLADES. One side, Rich Mahogany. Other side, Traditional Oak.*

## MOTOR

*Most powerful available in Fan Industry: Induction Motor ("K55 style") with "Super Silent" Rubber Flexible Flywheel.*

## EFFICIENCY

*This powerful motor allows our fans to move more air because of our dramatic 15° blade pitch. (9°-12° is industry average).*



*Our 3 speed Reversible Motor offers maximum air movement for a "Wind Chill" summer. Our reverse button (FOR/REV) gives you winter warmth by moving warm air trapped against ceiling.*

## MOTOR LIFETIME WARRANTY\*

See Manual \*Pg. 16



Easy 2 wire installation

## Available Finishes Standard Rivet Design Fan F101

Dark Copper-01

Bright Brass-23

White White-24

Black Iron-25